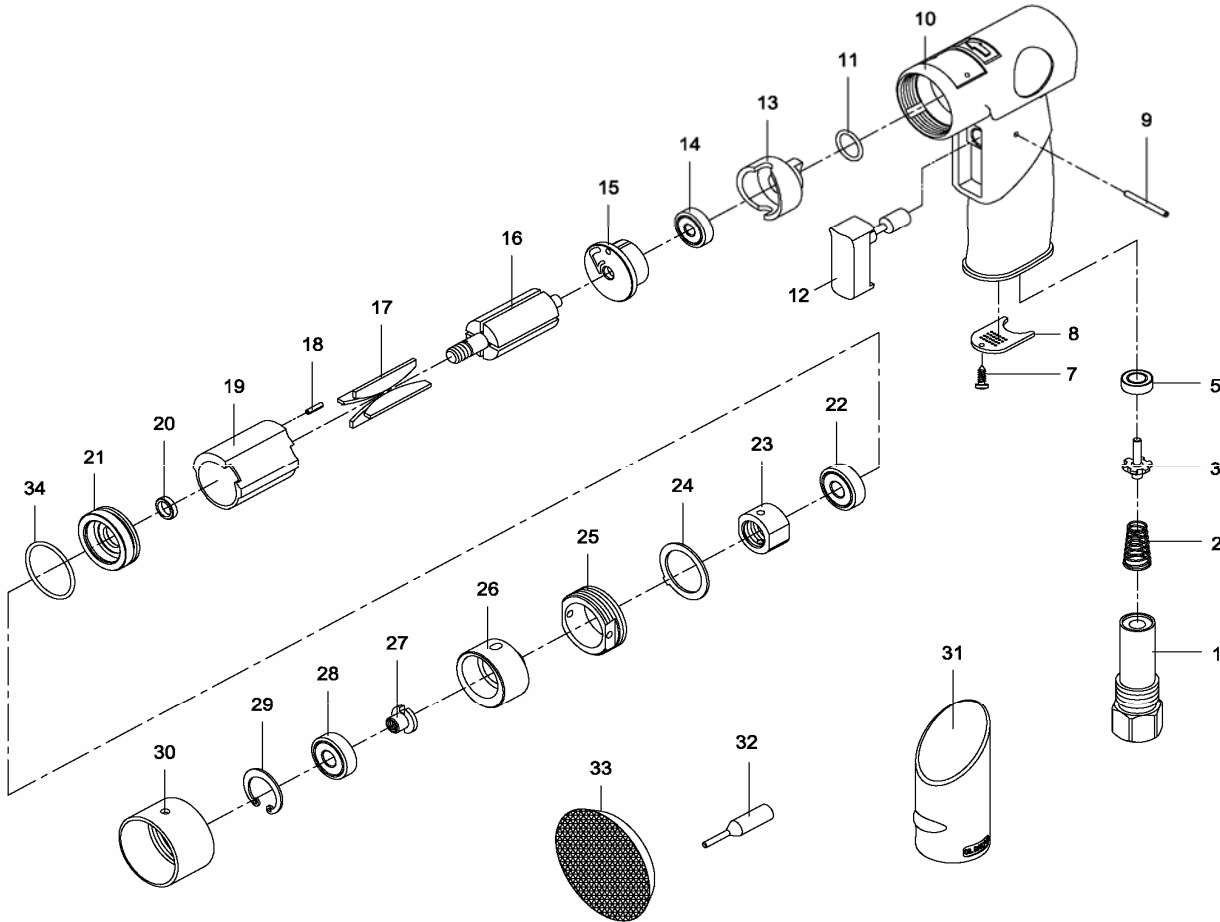


NL	Schuurmachine	RC 167 - RC 168 - RC169
GB	Sander	RC 167 - RC 168 - RC169
D	Schleifmaschine	RC 167 - RC 168 - RC169
F	Ponceuse	RC 167 - RC 168 - RC169
I	Smerigliatrici	RC 167 - RC 168 - RC169
DK	Slibemaskiner	RC 167 - RC 168 - RC169
N	Papirslipere	RC 167 - RC 168 - RC169



Index	Parts No.	Description	Quantity
1	RP16401	Air inlet	1
2	RP16402	Spring	1
3	RP75-725146	Valve stem	1
4	Take 5		
5	RP600145	Rubber spacer	1
6	Take 5		
7	RPSM40309	Screw	1
8	RP16408	Diffuser	1
9	RP14510	Pin	1
10	RP16410	Motor housing	1
11	RPOR3293	O-ring (12.42x1.78)	1
12	RP16412	Trigger	1
13	RP16413	Air regulator	1
14	RPBB626ZZ	Ball bearing	1
15	RPSM30114	Rear plate	1
16	RP16416	Rotor	1
17	RP16417	Rotor blade	4

Index	Parts No.	Description	Quantity
18	RPSM30117	Spring pin	1
19	RPSM30118	Cylinder	1
20	RPSM61012	Rotor bush	1
21	RP600119-12	Front plate	1
22	RPBB608ZZ	Ball bearing	1
23	RP16423	Connector	1
24	RP14525	Spacer	1
25	RP16725	Motor lock nut	1
26	RP16726	Counter balance	1
27	RP16727	Nut	1
28	RPBB6082RS	Ball bearing	1
29	RP16729	Stop ring	1
30	RP16730	Guard	1
31	RP16424	Rubber grip	1
32	RA1050	Spanner pin + b.v.	1
33	RA168	Pad 3"	1
33A	RA167	Pad 2" NS	1
34	RPOR3302	O-ring (26.7x1.78)	1